

**CAUTION:**

Electrical and Plumbing connections must be made by a qualified Service Person who will assure that the installation is in compliance with all available federal, state, and local Health, Electrical, Plumbing, and Safety Codes.

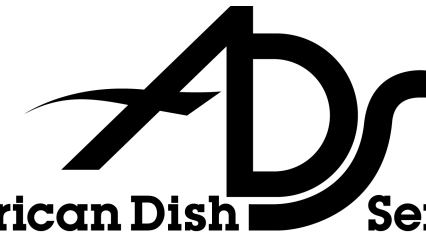
**NOTE:**

All dimensions listed have a tolerance of + or - 1/8" unless otherwise noted.

**NOTE:**

Manufacturer reserves the right to modify these specifications in compliance with regulatory agencies and manufacturing expediency.

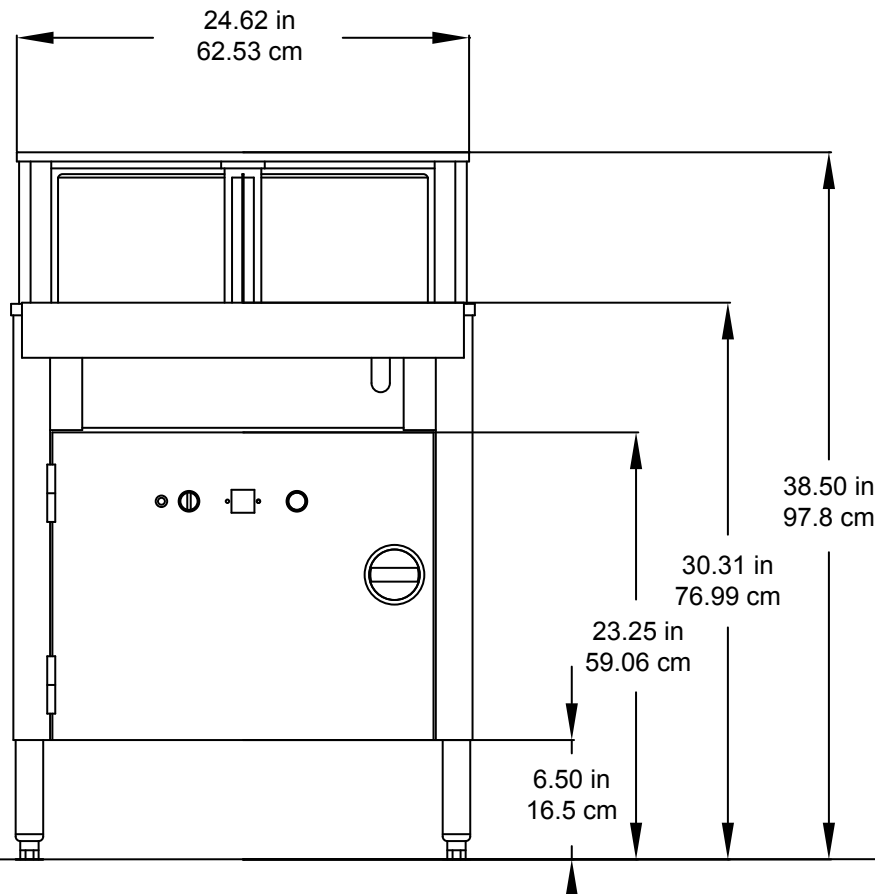
**CONNECT TO ELECTRICAL SUPPLY SOURCE**  
 USING 14-12 AWG COPPER WIRE  
 CIRCUIT PROTECTION: 15 AMP CIRCUIT BREAKER  
 OR FUSE WITH A 15 AMP RATING



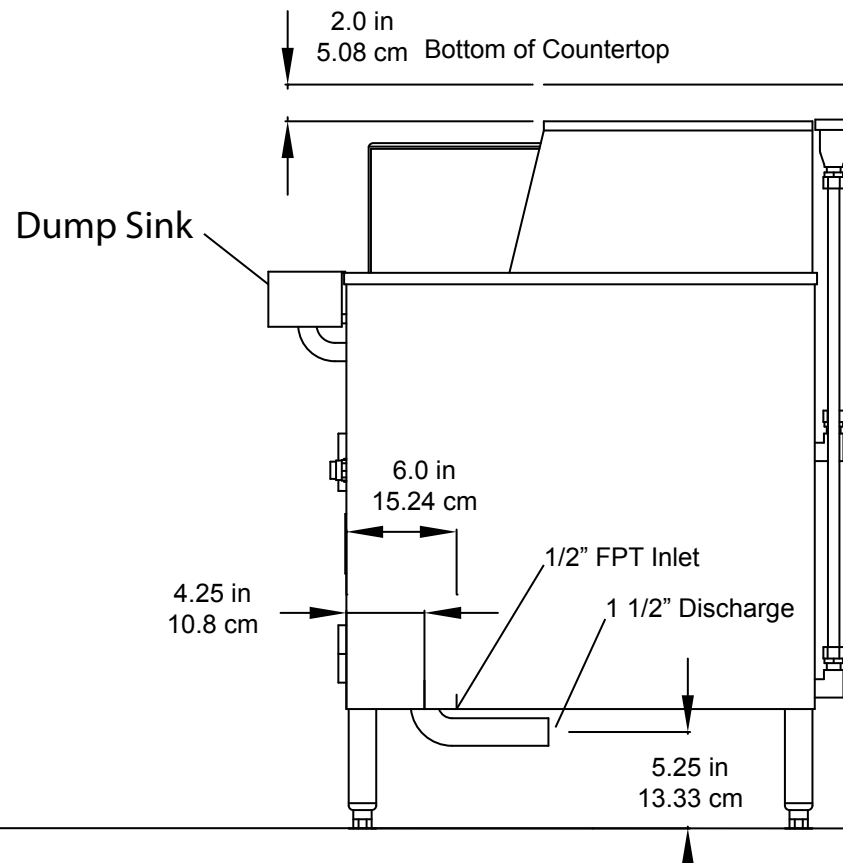
**American Dish Service**  
*Manufacturers of Ware Washing Equipment*

**Model ASQ II Specifications**

	<u>Model ASQ II</u>
RATED CAPACITY (LOADS PER HOUR)	34
WASH TIME (SECONDS)	45
RINSE TIME (SECONDS)	14
DWELL (SECONDS)	16
TOTAL CYCLE TIME (SECONDS)	75
	43.2 GAL/Hr
WATER TEMPERATURE	120 ° F 49 ° C
WATER CONSUMPTION	1.27 GAL PER CYCLE 4.8 LITERS PER CYCLE
MOTORS (WASH)	1/3 HP, 3450 RPM .246 KW
(DRAIN)	1/6 HP, 3450 RPM .124 KW
HEATER	350 W .350 KW
ELECTRICAL RATINGS	115 VOLTS SINGLE PHASE 7.5 AMP 60 Hz
WATER INLET	1/2" FPT 1.3 CM
DRAIN	1 1/2" O.D. 3.8 CM
HEIGHT (OVERALL)	38 1/2" 97.5 CM
WIDTH (OVERALL)	25 1/4" 64.1 CM
DEPTH (OVERALL)	29.8" 75.7 CM
SHIPPING WEIGHT	288 POUNDS 130.6 Kg
SHIPPING DIMENSIONS	36" L x 36" W x 46" H 91.4 cm x 91.4 cm x 116.8 cm



**FRONT VIEW**



**SIDE VIEW**